

## DEEP FRYERS



**3 Or 4 Tubes  
Gas Deep Fryer  
ATFS-40 ATFS-50**



**Optional lid**



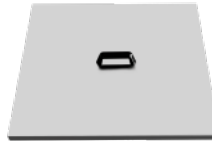
**21201001015**  
392x600



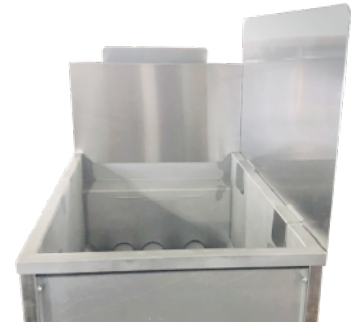
**5 Tubes Gas  
Deep Fryer  
ATFS-75**



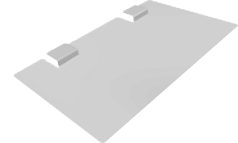
**Optional lid**



**21201003012**  
538x600



**Side panel**



**21101001047**  
620x380x2.0/430

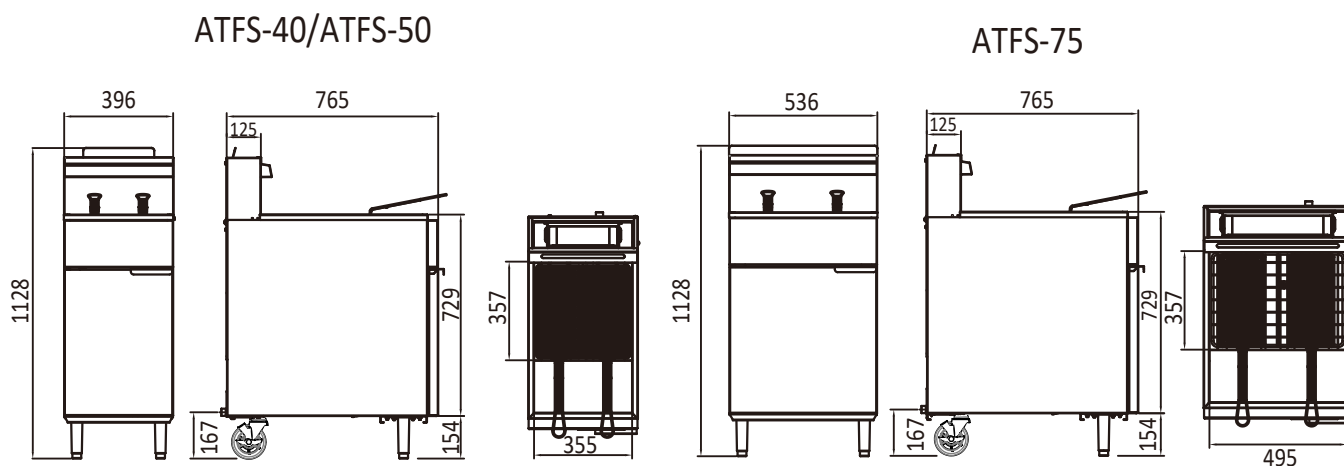


## FEATURES

- Constructed in 304 stainless steel
- Available in 3, 4 and 5 burner configurations
- Gas Approved Australia-wide
- Heavy duty constructed frame
- Stainless steel splash back
- Nickel plated frying baskets
- Standard flame failure
- Quick recovery
- Automatic safety valve stabilizing function
- Heavy duty tube burners with stable flame and standby pilots
- Heavy duty rear castors
- Easy to use temp controls
- Thermostatic temp control from 0 ~ 240 degrees celsius
- Manual ignition
- Front screw-on drain pipe for oil
- Oil cooling zone seated at bottom of the tank to avoid food residue
- Adjustable stainless steel legs
- 3/4 inch gas inlet
- Available in NG and LPG



## DEEP FRYERS



### ATFS-40-NG/LPG

### ATFS-50-NG/LPG

Oil Capacity	26.4L	26.6L
Gas Type	NG/LPG	NG/LPG
Gas Output Mj/h	28	28
Total Power Output Mj/h	84	112
Dimensions(mm)	W395x D765 x H1128, 59.5kg	W395x D765 x H1128, 65.5kg
Packaging Dimensions(mm)	W450 x D850 x H965, 72.5kg	W450 x D850 x H965, 78kg

### ATFS-75-NG/LPG

Oil Capacity	34.7L
Gas Type	NG/LPG
Gas Output Mj/h	28
Total Power Output Mj/h	140
Dimensions(mm)	W535x D765 x H1128, 76.5kg
Packaging Dimensions(mm)	W590 x D850 x H965, 90.5kg

When placing your order, please indicate the gas type (NG or LPG) by adding it to the end of the product code e.g. "-NG"



AUSTRALIA AND NEW ZEALAND  
GAS SAFETY CERTIFICATION  
SAI-400248 AS 4563:2004 SAI Global



2 YEARS WARRANTY ON ALL PARTS AND LABOUR  
EXTRA 2 YEARS WARRANTY ON PARTS  
WHEN YOU REGISTER WITH US ONLINE

\* All prices are EX-GST